

Case Study

Vacuum package



TRAPIB Le Havre - France

12/2010

HIBON air injection Positive displacement blower **package with enclosure VP 22-110** running in vacuum to allow the Spiderjet® surface preparation unit to be attached to the work surface by vacuum force.

Customer Overview

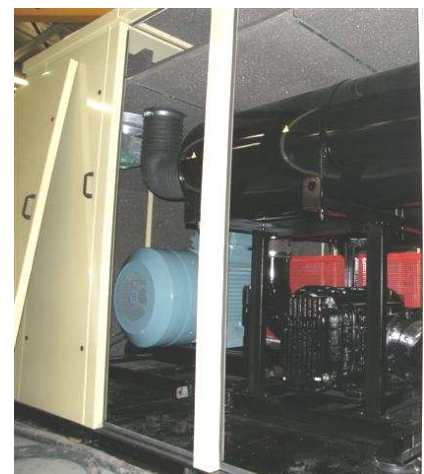
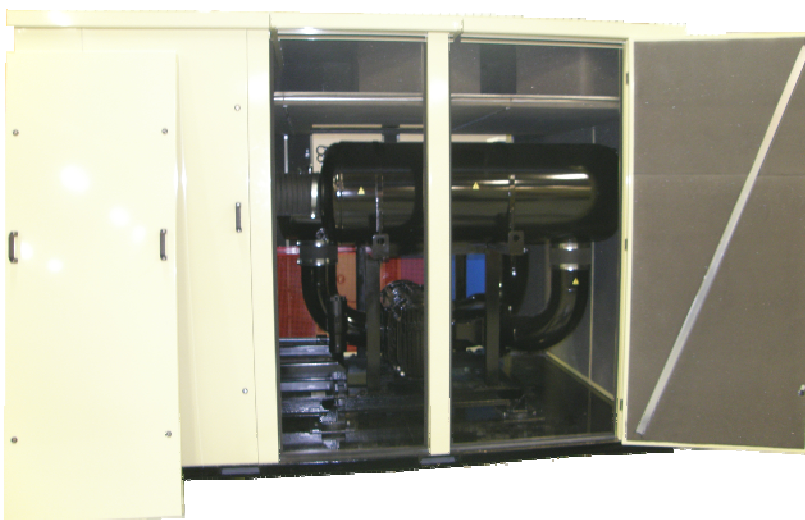
Trapib is a company specialized in painting stripping, cleaning, floor treatment, cutting and blasting for Industry and building.

Typical application of the Spiderjet® is cleaning and surface preparation of oil and gas storage tank, hull, and bunker.

Solution

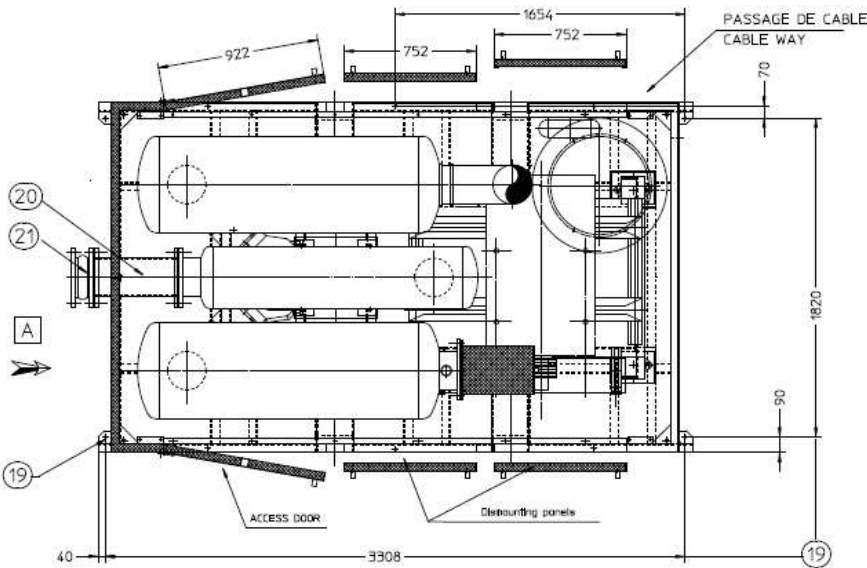
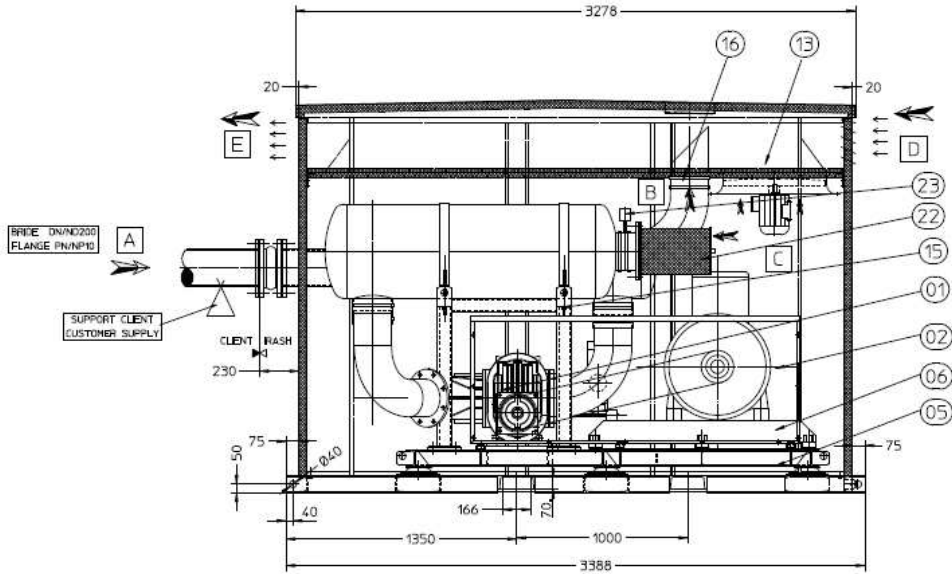
We propose one Package VP 22-110 with enclosure running in vacuum.

Gas: Air
Inlet pressure: 313 mbar Abs
Discharge pressure: 1013 mbar
Vacuum : - 700 mbar
Flow at atmospheric pressure : 4500 m³/h
Flow at -700 mbar : 3565 m³/h
Inlet temperature: 20 °C
Blower speed : 3000 RPM
Motor speed : 2950 RPM
Absorbed power at the shaft blower : 85 kW
Motor power : 110 kW

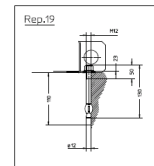
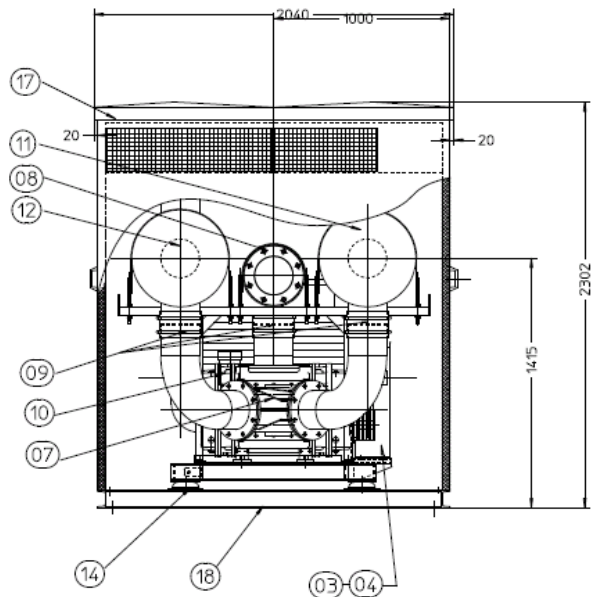


Description :

VP 22 -110



23	1	Indicateur de colmatage filtre
		Fouling filter
22	1	Cartouche de filtre
		Filter
21	1	Manchon compensateur - fonctionnement en vide
		Flexible bellow
20		Tuyauterie de conection aspiration
		Suction pipe
19	6	BOULONS D'ANCORAGE PBM 12x130
		ANCHOR BOLTS
18	1	SOCLE PALETTISABLE
		BASE PLATE
17	1	CAPOT PALETTISABLE SIAV 822
		SOUNDPROOF ENCLOSURE
16	1	CONNECTION CAPOT
		SOUNDPROOF ENCLOSURE CONNECT
15	1	SUPPORT SILENCIEUX
		SILENCER SUPPORT
14	6	SUPPORT ELASTIQUE Ø150 DUR.75
		ANTIVIBRATORY SUPPORT
13	1	VENTILATEUR FA 550 0,9KW 1500 T/MN
		AIR FAN VENTIL
12	1	SILENCIEUX DE REFOULEMENT
		DISCHARGE SILENCER
11	1	SILENCIEUX D'INJECTION DN200
		INJECTION SILENCER
10	1	SOUPAPE TYPE H80/90
		RELIEF VALVE
09	3	MANCHETTE SOUPLE DN200
		FLEXIBLE CONNECTING PIPE
08	1	SILENCIEUX D'ASPIRATION
		SUCTION SILENCER
07	2	COLLECTEUR DE REFOULEMENT ET D'INJECTION
		COLLECTOR
06	1	GLISSIERE TIXIT G395
		SLIDE
05	1	SOCLE
		BASE PLATE
04	1	TRANSMISSION
		TRANSMISSION
03	1	CARTER DE PROTECTION
		V-BELT GUARD
02	1	MOTEUR IEC 315S2 110kw 3000t/min
		MOTOR (CUSTOMER SUPPLY)
01	1	SIAV 822 DN 200
		ROOTS BLOWER
Rep	Nb	Désignation



POIDS TOTAL DU GROUPE: 3410.kg
 TOLERANCE: ± 5mm/m
 DYNAMIC COEFFICIENT: 1.3



Ingersoll Rand Industrial Technologies provides products, services and solutions that enhance our customers' energy efficiency, productivity and operations. Our diverse and innovative products range from complete compressed air systems, tools and pumps to material and fluid handling systems and environmentally friendly micro turbines. We also enhance productivity through solutions created by Club-Car® the global leader in golf and utility vehicles for businesses and individuals.