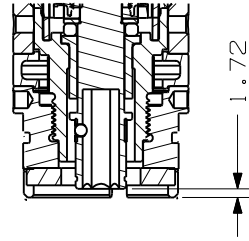
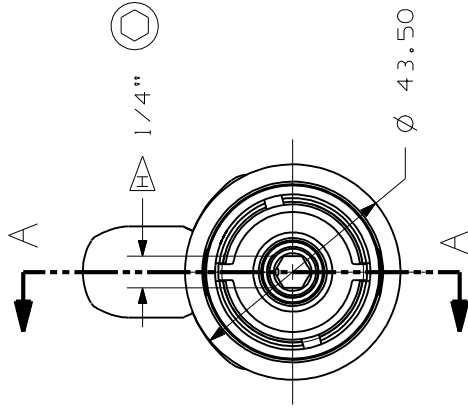
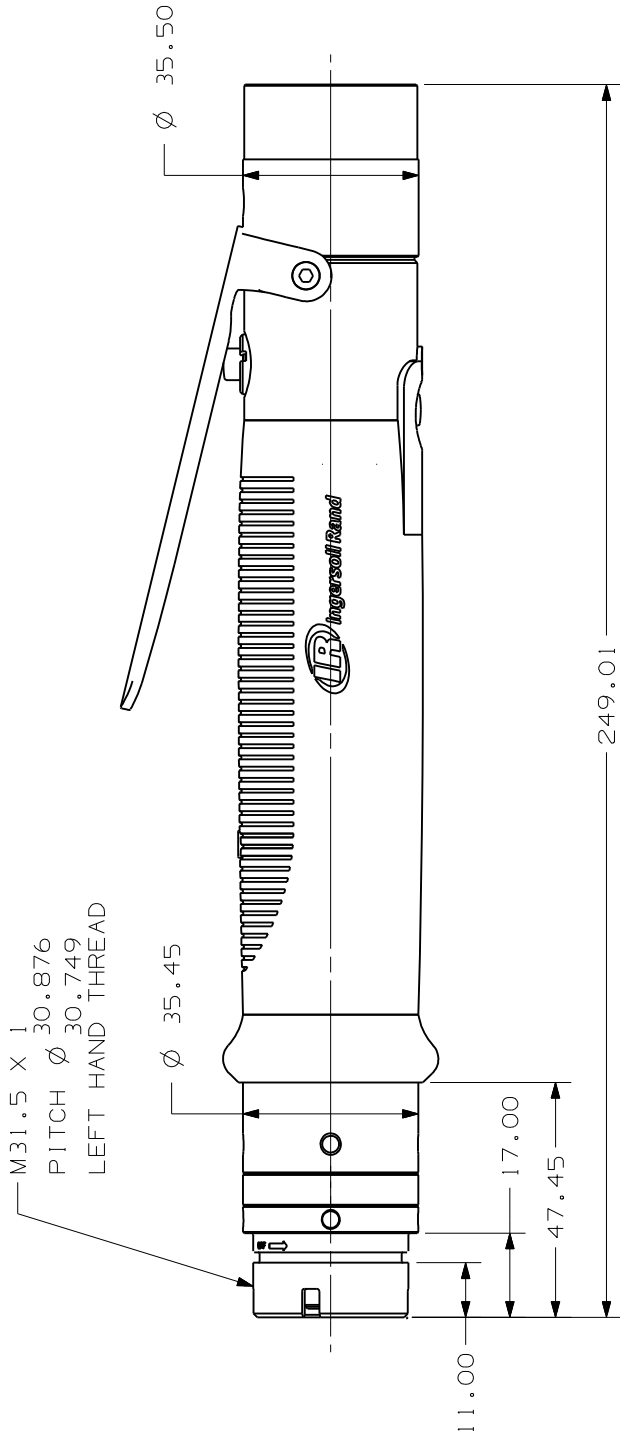




QE2 POWER UNIT, INLINE

OE2S ( ) PM  
OE2T ( ) PM



SECTION A - A

$\square$  INCH DIMENSION