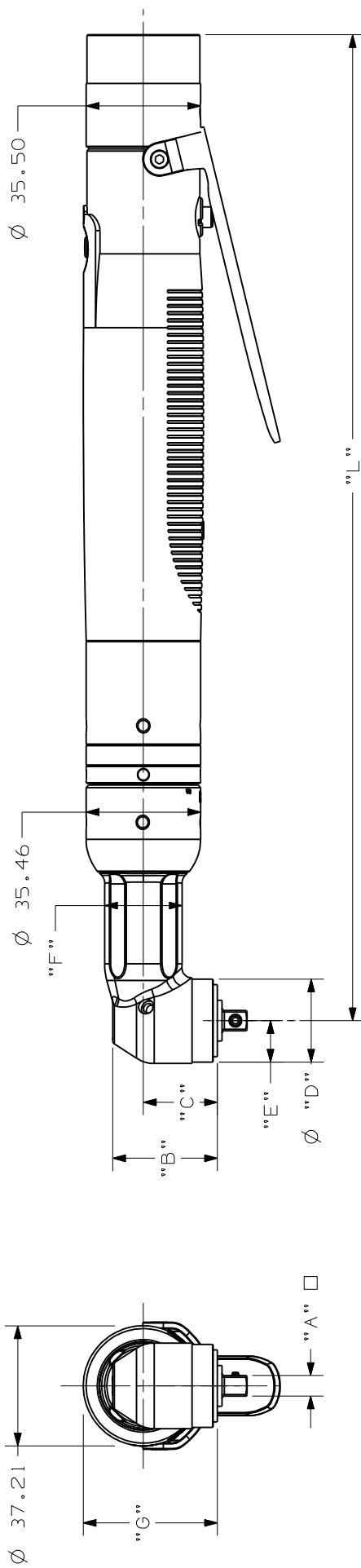


QE2\_ANGLE



MODEL NO.	"A"	"B"	"C"	"D"	"E"	"F"	"G"	"L"
QE2AL ( ) PA1S04	$\square$ 1/4"	26.67	18.03	18.92	9.46	17.27	36.64	302.66
QE2AL ( ) PA2S04	$\square$ 1/4"	33.75	23.50	26.48	13.24	20.51	42.10	304.36
QE2AL ( ) PA2S06	$\square$ 3/8"	33.75	23.50	26.48	13.24	20.51	42.10	304.36
QE2AL ( ) PA3S04	$\square$ 1/4"	32.68	22.90	25.72	12.86	24.00	41.51	305.36
QE2AL ( ) PA3S06	$\square$ 3/8"	32.68	22.90	25.72	12.86	24.00	41.51	305.36

$\square$  INCH DIMENSION