

GHH RAND

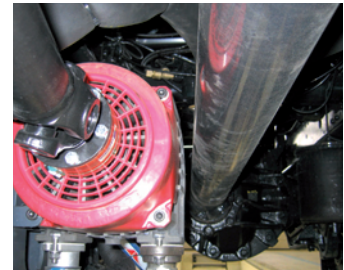
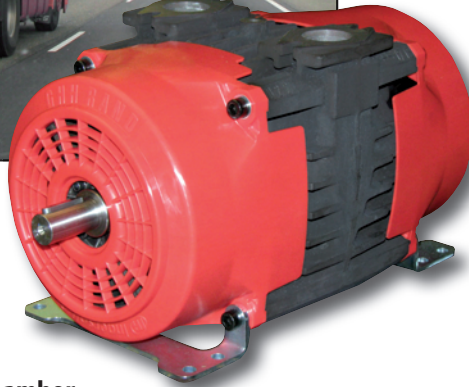


SV120 – Oil Free Sliding Vane Compressor

Compact next generation solution for the discharge of bulk liquid road tankers. A high performing and reliable solution for liquid road tanker applications including: Mineral oils, solvents, alkalis, hot bitumen and many other liquids and chemicals.



High air flow,
faster discharge

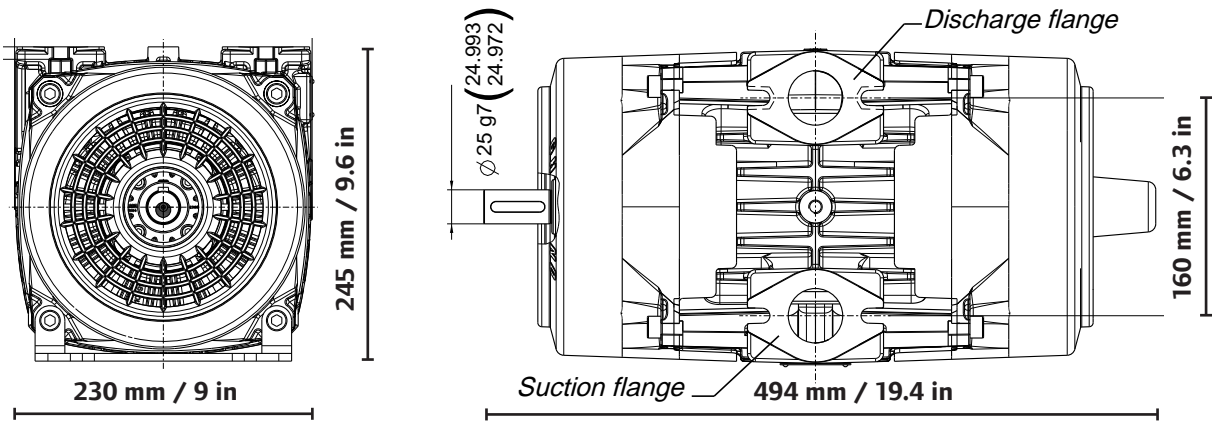


Highlights

- **Water protected compression chamber reducing un-scheduled off road downtime.**
- Optimised volume flow reducing product discharge time, noise contamination, engine fuel consumption and wear.
- Low discharge temperatures reducing the risk of product degradation.
- High reliability due to long blade and seal life.
- Footprint interchangeable with existing market leaders enabling ease of replacement and low switching costs.

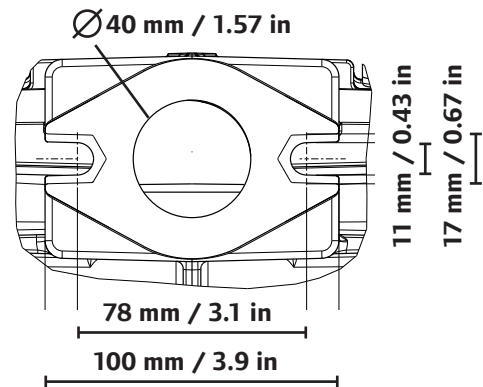
GHH RAND

SV120 – Innovative compressor for the liquid tanker industry



Operating Range

Parameters	Units	Min.	Max.
Power	kW / hp	7 / 9.4	13 / 18
Discharge pressure	bar(g) / psi(g)	2.5 / 36	
Volume flow	m ³ /h / cfm	55 / 32	198 / 117
Shaft speed	rpm	1,000	1,800
Weight	kg / lb	37 / 81	



Your advantages

- Sideplate venting system together with stainless steel rotor substantially reduces the risk of internal corrosion reducing unplanned off road time and expenditure.
- Ease of maintenance with corrosion resistant components used throughout.
- Peace of mind offered from GHH RAND's extensive and market leading 50 years of experience within the road transport market.
- A full range of ancillaries available including air filter and kit, discharge port flange kit, companion flange, non-return and safety relief valve, hydraulic trunk, coupling and hydraulic drive motor.
- Regional support with a full & comprehensive well positioned GHH RAND partner network.

Our innovative venting system allows air to exhaust properly, yet prevents ingress of water from entering and contaminating the compression chamber. This unique feature significantly reduces the risk of compressor failure, irrespective of mounting position.

GHH RAND Schraubenkompressoren GmbH

Customer Center Tanker Solutions

Max-Planck-Ring 27

46049 Oberhausen, Germany

Tel. +49 (0)208 9994-0 • Fax +49 (0)208 9994-179

info_ghh-rand@irco.com • www.ghhrand.de

IR Ingersoll Rand
Industrial Technologies