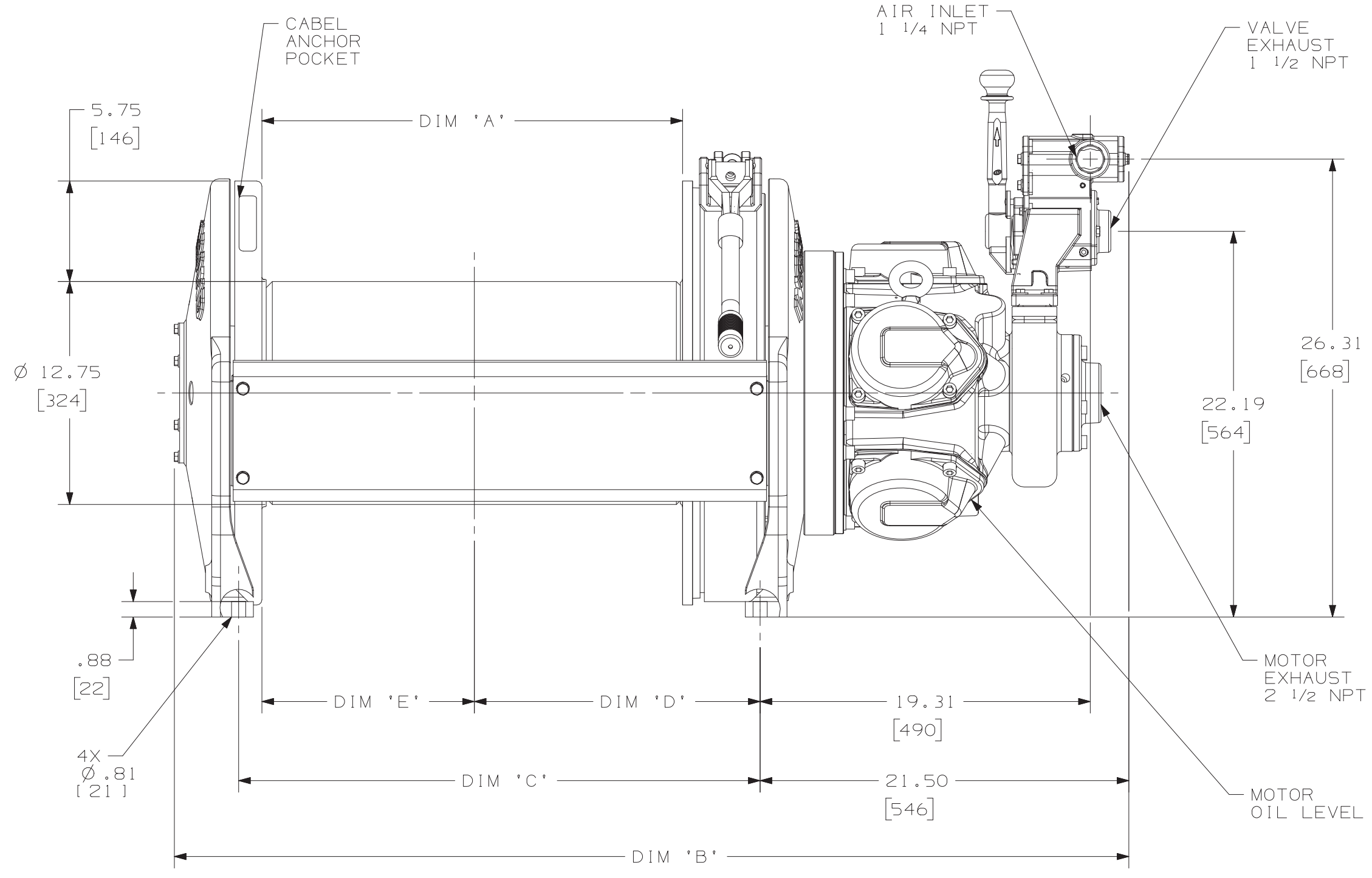
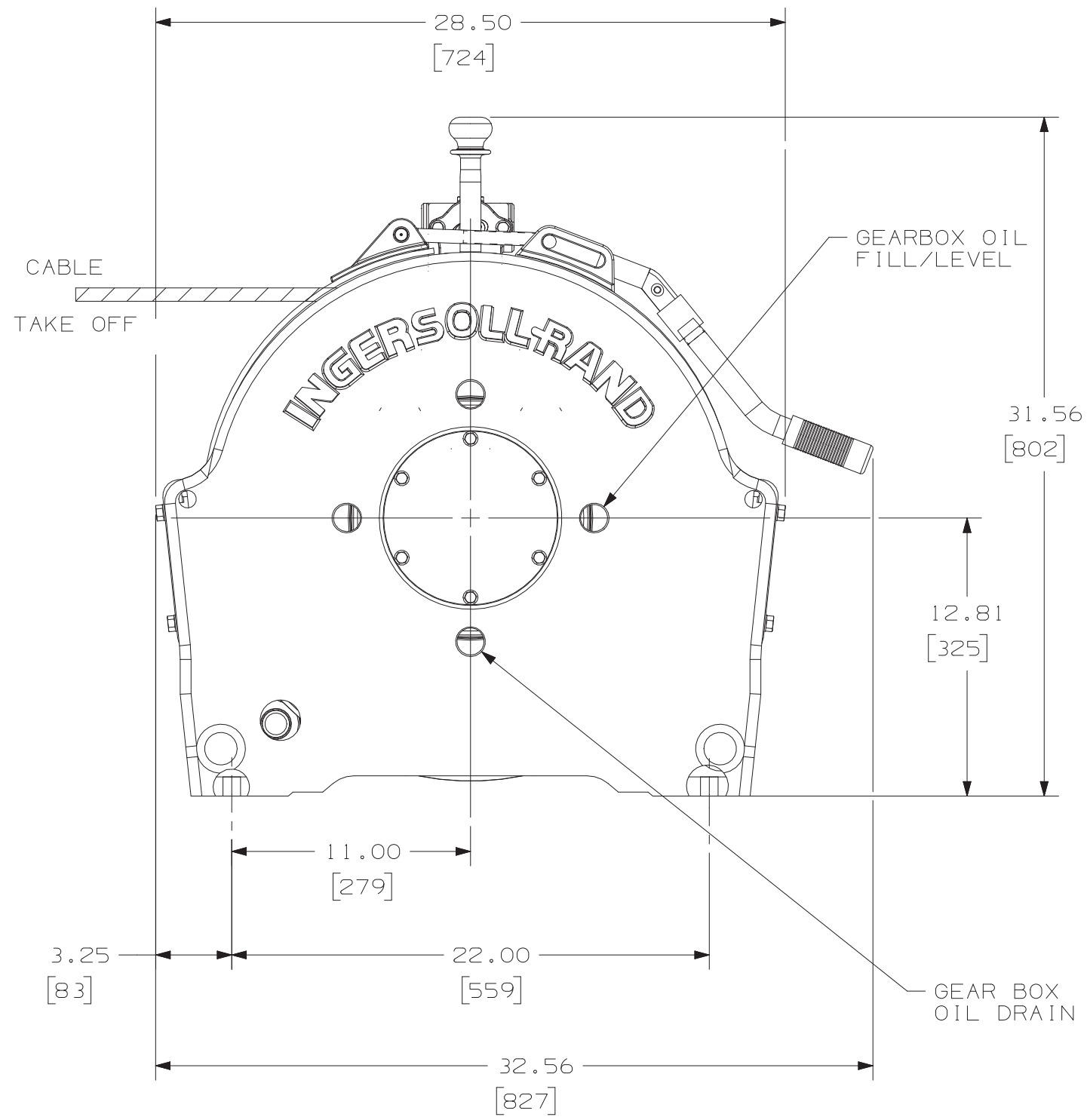
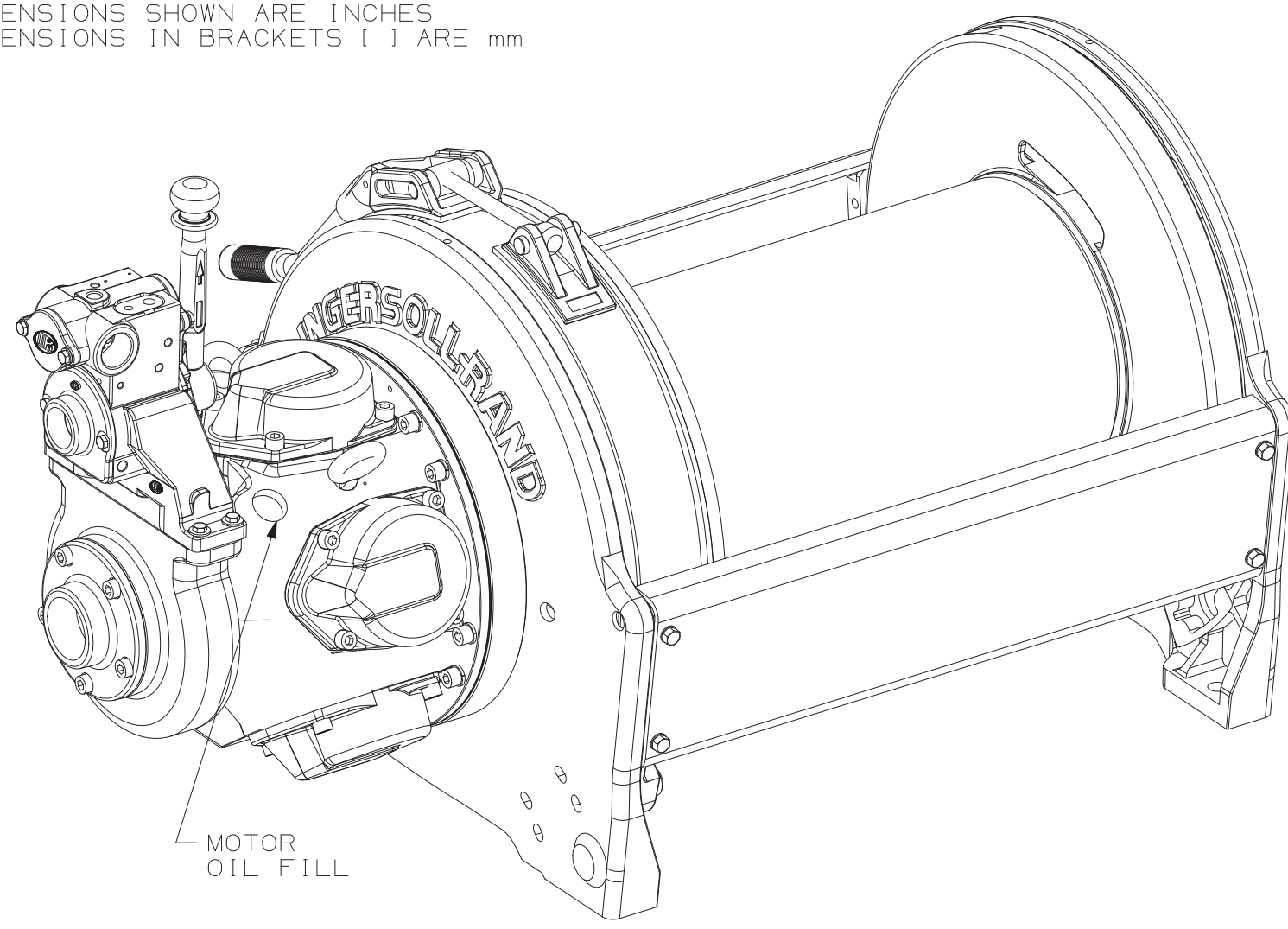


REVISIONS				
ZONE	LTR	DESCRIPTION	DATE	APPROVED
-	01	REDRAWN IN UG PER SE004649	6/22/04	HNS <i>[Signature]</i>



NOTES:
 1. OVERWOUND RIGHT-HAND LAY CABLE ONLY
 2. DIMENSIONS SHOWN ARE INCHES
 DIMENSIONS IN BRACKETS [] ARE mm



MODEL NO	DIM 'A'	DIM 'B'	DIM 'C'	DIM 'D'	DIM 'E'
FA5A-12MX1	12.00 [306]	43.00 [1092]	17.88 [454]	10.50 [266]	6.00 [153]
FA5A-24MX1	24.00 [611]	55.00 [1397]	29.88 [759]	16.50 [419]	12.00 [306]

ITEM	QTY	SIZE	PART NO	DESCRIPTION
THIS DOCUMENT CONTAINS CONFIDENTIAL AND TRADE SECRET INFORMATION, IS THE PROPERTY OF INGERSOLL-RAND COMPANY, AND IS GIVEN TO THE RECEIVER IN CONFIDENCE. THE RECEIVER BY RECEIPT AND RETENTION OF THE DOCUMENT ACCEPTS THE DOCUMENT IN CONFIDENCE AND AGREES THAT, EXCEPT AS AUTHORIZED IN WRITING BY INGERSOLL-RAND COMPANY, IT WILL (1) NOT USE THE DOCUMENT OR ANY COPY THEREOF OR THE CONFIDENTIAL OR TRADE SECRET INFORMATION THEREIN; (2) NOT COPY THE DOCUMENT; (3) NOT DISCLOSE TO OTHERS EITHER THE DOCUMENT OR THE CONFIDENTIAL OR TRADE SECRET INFORMATION THEREIN; AND (4) UPON COMPLETION OF THE NEED TO RETAIN THE DOCUMENT, OR UPON DEMAND, RETURN THE DOCUMENT, ALL COPIES THEREOF, AND ALL MATERIAL COPIED THEREFROM.				WARNING: The export or reexport of this drawing or a product produced by this drawing is subject to U. S. Export Administration Regulations and other applicable governmental restrictions or regulations. Copyright © 2004 Ingersoll-Rand Company All Rights Reserved
UNLESS OTHERWISE SPECIFIED TOLERANCES ON DIMENSIONS ARE DECIMALS: 2 PLACES ±.001 ±.02 3 PLACES ±.0001 ±.005 ANGLES ±0.5° BREAK EDGES .010 SURF 125				IR Ingersoll-Rand. Ingersoll-Rand Company Tool & Hoist Division Seattle, WA, U.S.A.
THIRD ANGLE PROJECTION DRAWN TMD DATE 11/14/2001 CHECKED : APPROVED : ENG APPVL JCG 11/15/2001				TITLE WINCH, AIR OUTLINE/DIMENSIONAL FA5A- *MX1
SIZE C		PART NO. 28927	DWG NO. 71 398796	REV 01
SCALE: 15:1				SHEET 1 OF 1

DWG NO. 71 398796 SH 1