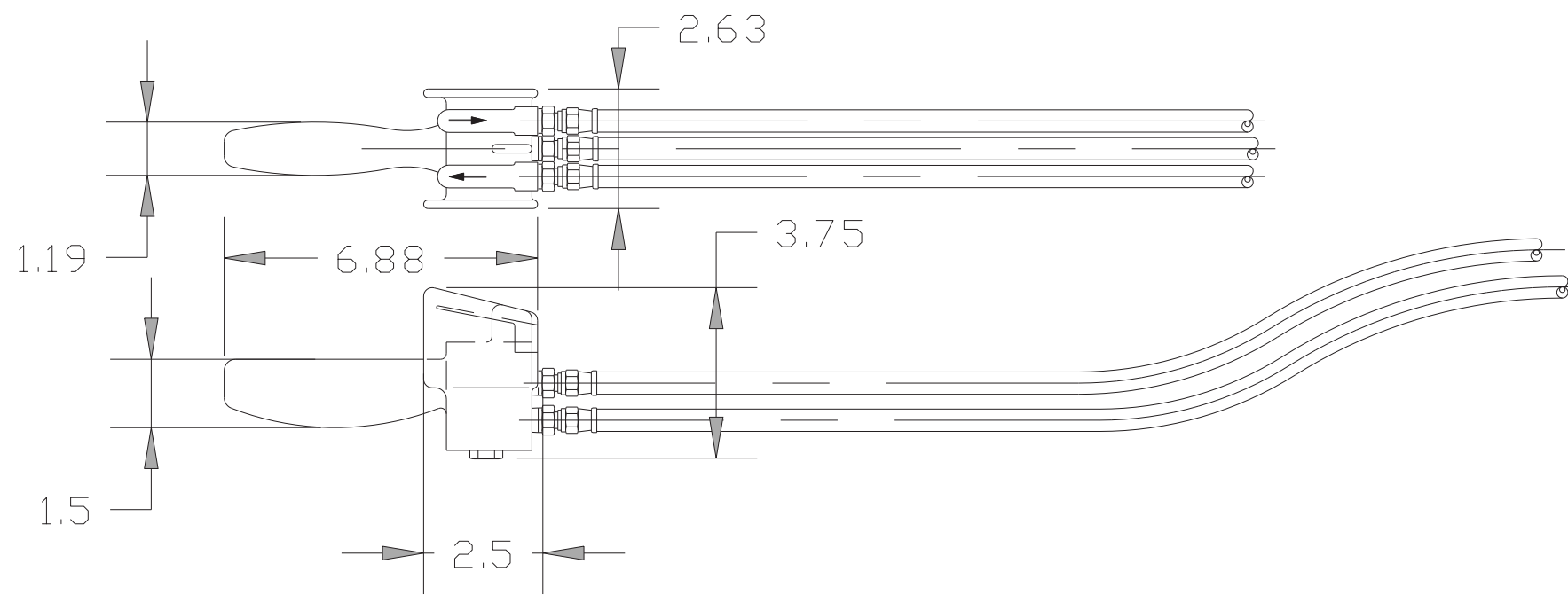
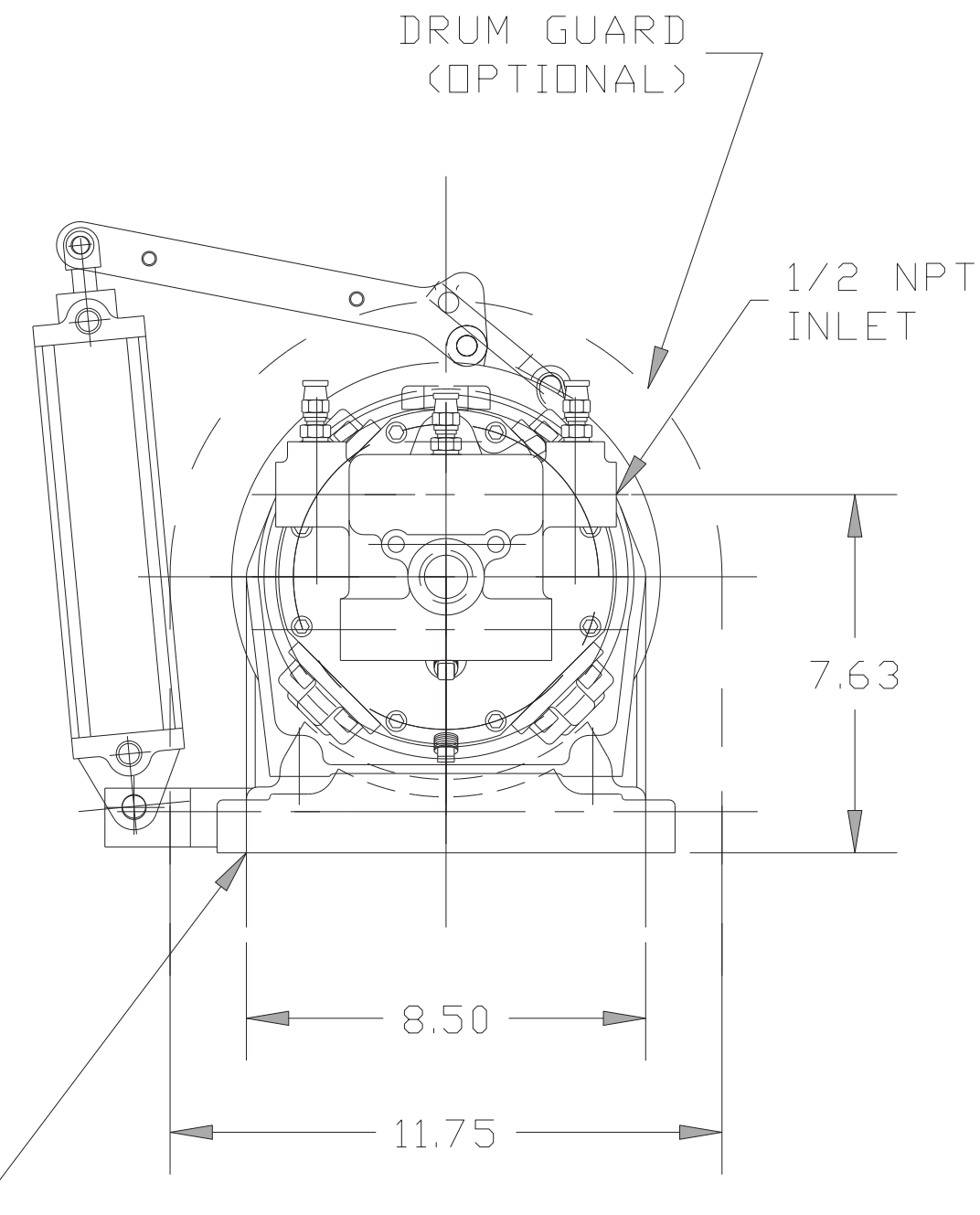
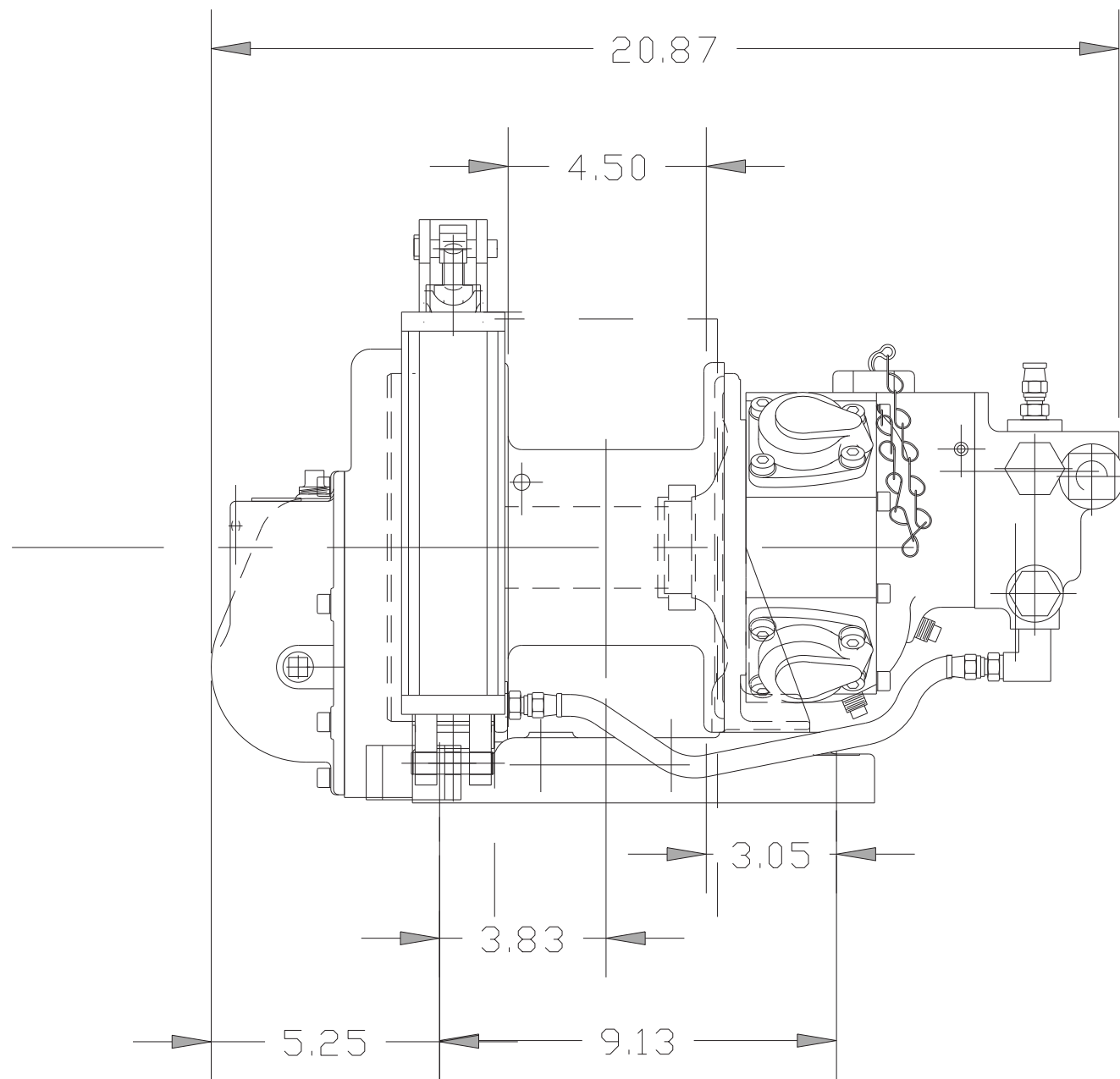
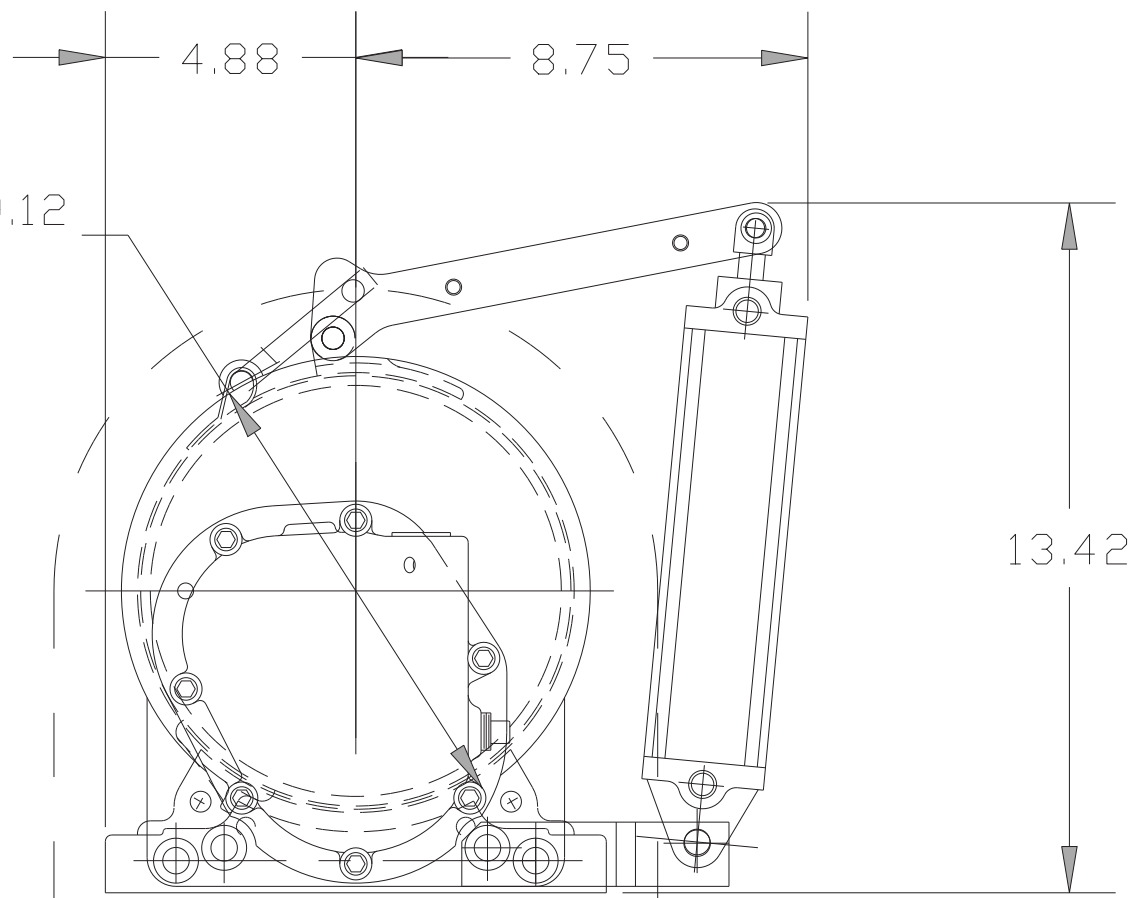


REVISIONS				
ZONE	LTR	DESCRIPTION	DATE	APPROVED



PENDANT THROTTLE

ITEM	QTY	SIZE	PART NO	DESCRIPTION
<p>THIS DOCUMENT CONTAINS CONFIDENTIAL AND TRADE SECRET INFORMATION, IS THE PROPERTY OF INGERSOLL-RAND COMPANY, AND IS GIVEN TO THE RECEIVER IN CONFIDENCE. THE RECEIVER BY RECEPTION AND RETENTION OF THE DOCUMENT ACCEPTS THE DOCUMENT IN CONFIDENCE AND AGREES THAT, EXCEPT AS AUTHORIZED IN WRITING BY INGERSOLL-RAND COMPANY, IT WILL (1) NOT USE THE DOCUMENT OR ANY COPY THEREOF OR THE CONFIDENTIAL OR TRADE SECRET INFORMATION THEREIN; (2) NOT COPY THE DOCUMENT; (3) NOT DISCLOSE TO OTHERS EITHER THE DOCUMENT OR THE CONFIDENTIAL OR TRADE SECRET INFORMATION THEREIN; AND (4) UPON COMPLETION OF THE NEED TO RETAIN THE DOCUMENT, OR UPON DEMAND, RETURN THE DOCUMENT, ALL COPIES THEREOF, AND ALL MATERIAL COPIED THEREFROM.</p>				<p>WARNING: The export or reexport of this drawing or a product produced by this drawing is subject to U. S. Export Administration Regulations and other applicable governmental restrictions or regulations.</p> <p>Copyright © 1997 Ingersoll-Rand Company All Rights Reserved</p>
<p>UNLESS OTHERWISE SPECIFIED TOLERANCES ON DIMENSIONS ARE DECIMALS:</p> <p>2 PLACES: (.XX)=±.02 3 PLACES: (.XXX)=±.005 ANGLES: ±0.5°</p> <p>BREAK EDGES .010 SURF 125 ✓</p>				<p>INGERSOLL-RAND COMPANY</p> <p>MATERIAL HANDLING PRODUCTS Beebe Hoists and Winches · Seattle, WA. U.S.A.</p>
<p>THIRD ANGLE PROJECTION</p> <p>DRAWN DCW DATE 09/04 1997</p> <p>CHECKED</p> <p>APPROVED</p> <p>ENG APPVL <i>WD</i> 09/10 1997</p>				<p>TITLE</p> <p>DIMENSIONS FOR MODEL BU7APTAB AIR WINCH</p>
<p>SIZE B</p>		<p>CODE IDENT NO.</p>	<p>DWG NO. 26328</p>	<p>REV —</p>
<p>SCALE: 1:5</p>		<p>SHEET 1 OF 1</p>		